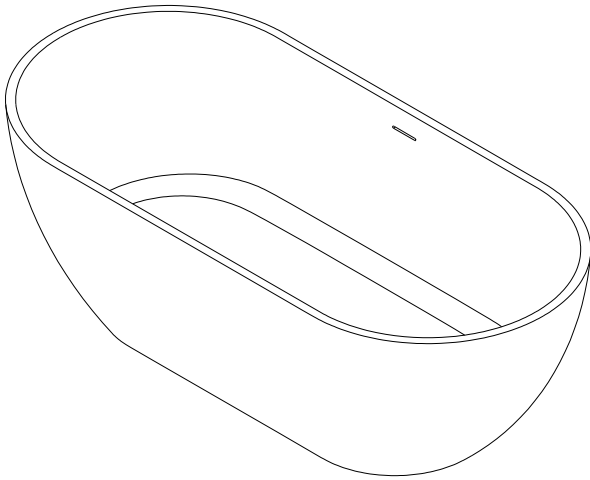


产品安装说明书

PRODUCTS INSTALLATION INSTRUCTIONS



产品说明

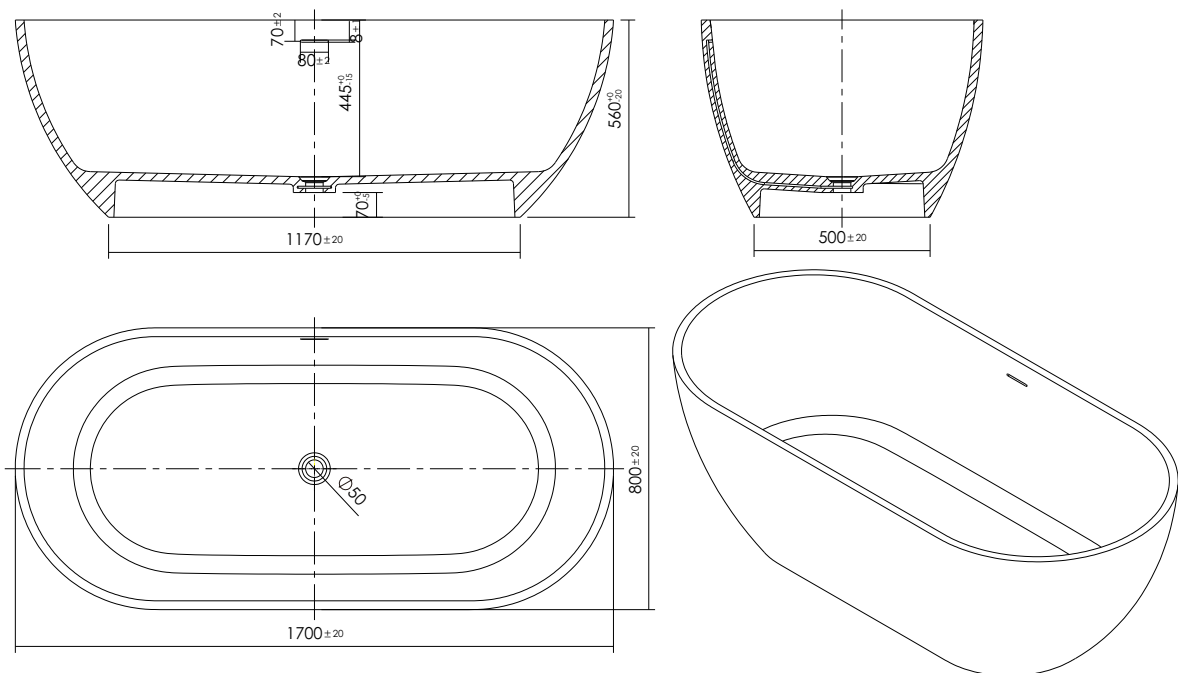
PRODUCT DESCRIPTION

- 规格: 1700*800*560mm
- 产品材料: 绮丽石
- 满水容量为334升(至溢水口)
- 执行标准: JC/T 644-1996

- Dimensions: 1700*800*560mm
- Material: Michelle Stone
- Full water volume is 334L (up to overflow outlet)
- Standard: JC/T 644-1996

A 安装尺寸图 INSTALLATION DIMENSION

单位: mm
Unit: mm



B 备用工具 HELPFUL TOOLS

扳手
Adjustable Wrench



墨斗与铅笔
Marking Gauge and Pencil



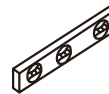
卷尺
Tape Measure



防霉中性硅胶
Neutral Mildew Resistant
Silicone Sealant



水平尺
Level



防护眼镜
Safety Glasses



C 安装注意事项 POINTS FOR ATTENTION BEFORE INSTALLATION

- 1、安装前, 请仔细阅读本手册, 并正确施工。
- 2、请按本说明书内记载的方法施工。擅自变更施工方法所引起的不良后果, 本公司将不负责所引起之损失。
- 3、按摩缸安装要求高, 请专业人员施工。

检查

- (1) 在您收到浴缸打开包装箱后, 检查开关和所有的配件是否完好。
- (2) 请检查浴缸表面是否有任何撞击或破损的现象。
- (3) 请检查管道口是否紧密牢固。

安装注意事项

- (1) 我们建议您为了方便维修和清洁, 请将浴缸安装在瓷砖已经贴好的台面和地砖已经贴好的地坪上。
- (2) 将墙、地砖的工程完全结束后, 再将浴缸从包装箱中取出进行安装。
- (3) 施工过程中, 请不要将浴缸表面的保护膜撕开。
- (4) 施工时, 严禁将灯泡, 明火置于浴缸内。
- (5) 施工时, 严禁在浴缸内存放黄沙, 水泥及其它容易损坏缸体表面的杂物。
- (6) 施工时, 严禁向浴缸内倾倒油漆, 胶水等溶剂。

- 1.Please read the instruction carefully before beginning to install.
- 2.Please follow steps in the instruction to install this product or may result in costly mistake. Bravat shall not be responsible for any loss from that mistake.
- 3.Professional help is required for installation of this product.

Inspection

- (1)Check and ensure all switch and accessories are in good condition.
- (2)Check and ensure bathtub surface is free of hit and damage.
- (3)Check and ensure pipe connection is firm and compact.

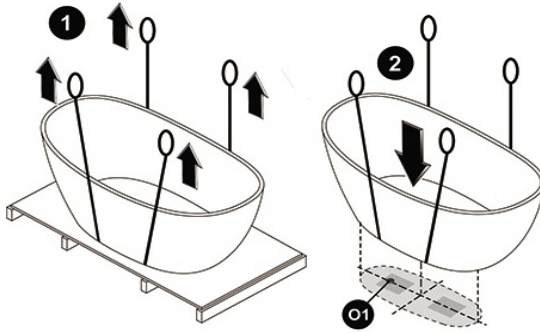
Attention points at Installation

- (1) To facilitate maintenance and clean, we recommend to install bathtub on
- (2) DONT'T take bathtub out of package for installation until wall and floor preparation finished
- (3) DONT'T remove the protective tape and film of bathtub during installation
- (4) NO bulbs and open fires are allowed to place in bathtub during installation
- (5) NO stu fflake sand.cement or other sundries are allowed to place in bathtub as that may likely damage bathtub surface.
- (6) NO solvent like paint or glue are allowed to contact with bathtub.

D 安装信息

INSTALLATION INFOREMATION

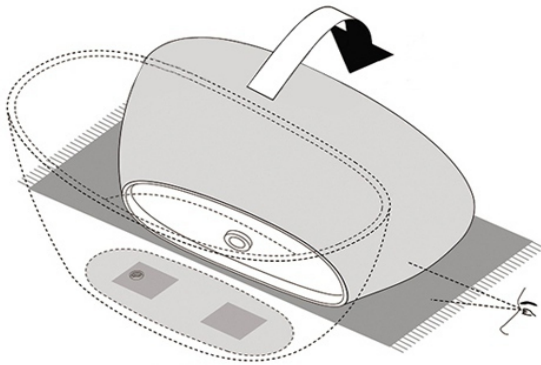
1



1. 把浴缸放置到安装位置。
(注:浴缸拆包装时,搬放需轻放)

1. Place the bathtub in the installation position.
Note: When the bathtub is unpacked, it should be handled lightly.

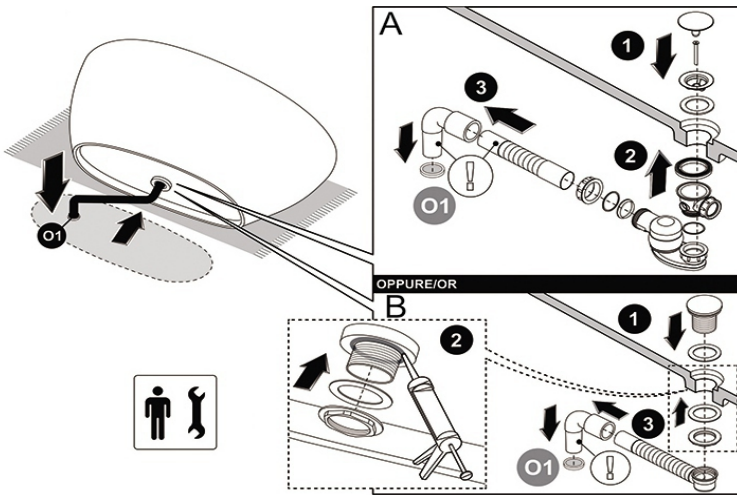
2



2. 用软质板料垫在浴缸侧翻地面上,防止浴缸碰伤。

2.The bathtub is rolled over on the floor with soft sheet material to prevent the bathtub from being damaged.

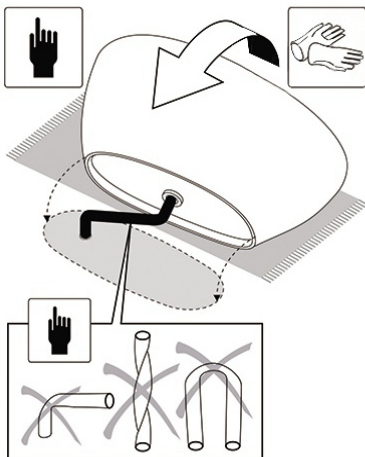
3



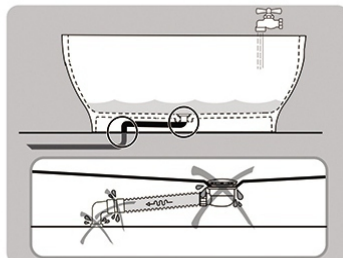
3. 按示意图安装好去水器,排水管。
确保管道连接好不漏水,然后把排水软管插入地漏。

3.Install dewaterer and drain pipe according to schematic diagram.Make sure the pipe is well connected, and then insert the drainage hoseFloor drain.

4



注意:安装完成后须放少量水检查,管道是否有漏水。



4. 扶正浴缸,安装完成。

(注:安装完成后须放少量水检查管道是否有漏水)

4.Fix the bathtub and install it.

Note: After installation, a small amount of water should be put in to check whether the pipeline is leaking.

E 维护与保养 MAINTENANCE

- 1、为使浴缸干净整洁，建议您在沐浴后，趁水刚放完而浴缸还没干的时候立即清洁浴缸，这时候很容易将肥皂、人体脂肪及污垢等清除，以免污垢粘在浴缸上干结后不便清洁。
- 2、在水质较硬的地区，由于水中钙的含量高，污垢粘在浴缸壁上会留下黄色的斑痕，所以请您经常清洁浴缸。
- 3、清洁时，使用柔软的布配以中性清洁剂或肥皂水清洗，然后将水份擦干。
- 4、严禁使用尖硬的物品或具有研磨作用的物品如去污粉等，清洁浴缸及护罩表面，因其可能腐蚀、划伤浴缸表面，从而降低表面光泽。
- 5、绮丽石浴缸可以抵御绝大多数常用家用化学品的侵蚀，但仍应避免与油漆，油漆清除剂如氯仿和丙酮等强有机溶剂接触。如果它们与浴缸表面接触，将可能引起表面软化，溶化或龟裂。
- 6、严禁将燃着的烟头放在浴缸表面上，否则将留下燃烧的疤痕。
- 7、严禁将灯泡，明火放置在浴缸内，以免造成表面破损。

以下是对划伤的的建议：

- (1) 如果浴缸表面有轻微的划伤或擦痕，可用600#砂纸直接擦洗或使用磨损性质的百洁布擦洗表面。
- (2) 如果是较深的划伤，可先使用320#砂纸擦去划痕，然后用上述的方法来获得平整表面。

1. Suggest to clean bathtub immediately after drainage complete, as soap, body fat and dirt are easy to be removed at the time before bathtub dry.
- 2.Suggest to clean bathtub frequently if using in high hard water area,vgdqd high calcium content in water would leave yellow spot after dirt attaching on bathtub surface.
- 3.Please use soft cloth with neutral cleaner or soap to clean bathtub, and then wipe its surface to dry.
- 4.No hard stu ffor abrasive stu flike cleaning powder are allowed to clean bathtub, as that would corrode, scratch and dull bathtub surface.
5. The Iris tub can resist the erosion of most commonly used household chemicals, but it should still avoid contact with strong organic solvents such as paint and paint cleaners such as chloroform and acetone. If they are in contact with the surface of the bathtub, they may cause the surface to soften, melt or crack.
6. Do not place flaming cigarette on bath or it would burn bathtub surface.
- 7.NO bulbs and open fires are allowed to place in bathtub lest bathtub surface is damaged.

Suggestion to remove scratch:

- (1) If there is a slight scratch or scratch on the surface of the bathtub, scrub it directly with 600# sandpaper or scrub with a scouring pad of abrasive nature.
- (2) If it is a deep scratch, you can use the 320# sandpaper to remove the scratches, and then use the above method to obtain a flat surface.

F 特别申明 SPECIAL STATEMENT

本产品说明书是根据最新产品资料编写而成，本公司遵循可持续发展策略，对产品的规格、性能等进行持续的改进，如有变更，恕不另行通知。（本公司保留此项解释权）
图示若与产品不符，请以实物为准。

latest product information, following the sustainable development strategy of the Company, to improve continually the produce's specification, performance etc.,subject to change without notice. (The Company reserves the right to interpret)

Attention: If the product is different from the drawing,please take the object as right.